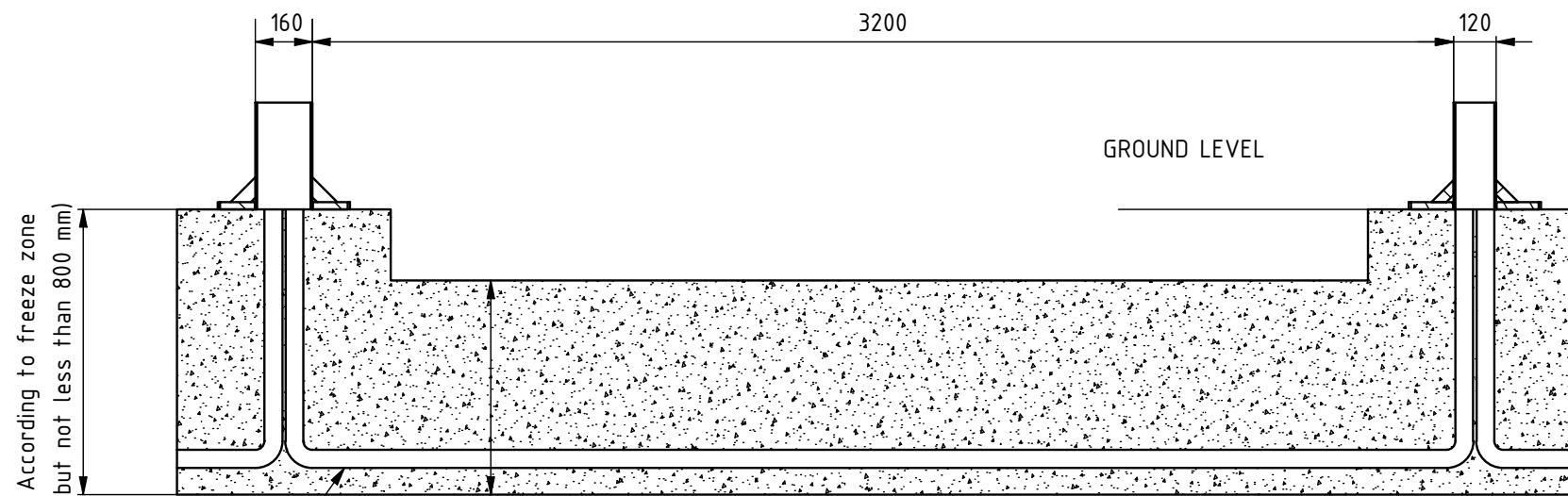
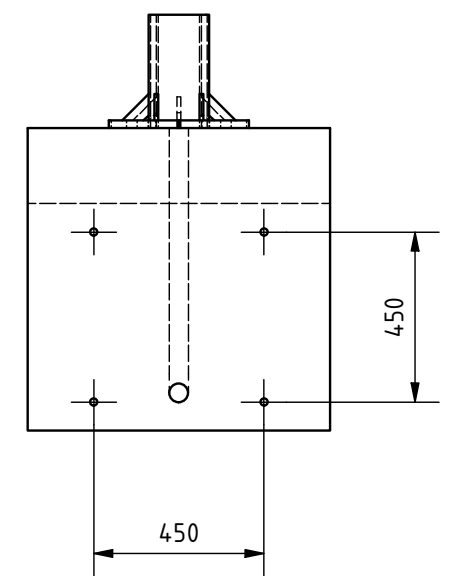
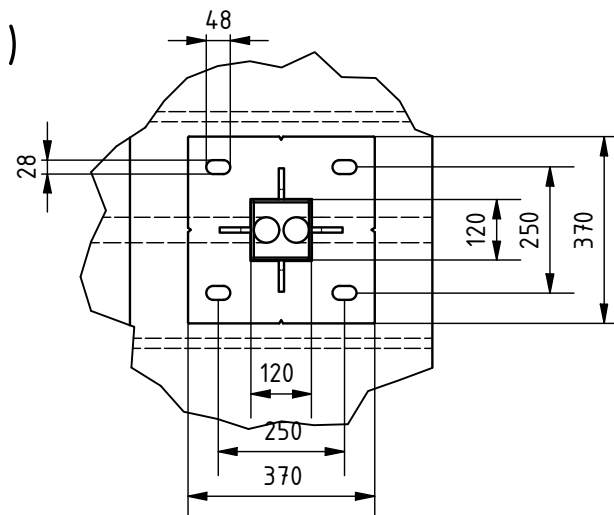


A-A (1 : 20)



WIRE PIPE Ø50 mm
Not less than 600mm

M (1:15)



Remarks:

1. All dimensions in mm.
2. Prepare foundation with concrete class C25. Concrete must be reinforced with reinforcement bars or fibres and flat on top.
3. For gate installation put gateposts baskets inside concrete or use anchors M24x400 or longer. Anchors must be over concrete surface 70 - 100mm. Placing gate on or in foundation depending on detailed gate size - to be chosen on installation site.
5. This is suggested foundation plan. Dimensions, reinforcement, anchoring.

		Remarks			
		Designed by S.Sycz	Scale 1 : 15	Format A3	Data 05.08.2022
Edited by		Height ---	Width ---	Material ---	Mass ---
Number 03272.0000		Drawing Valhalla 1W 3000 Foundation			Rev. A